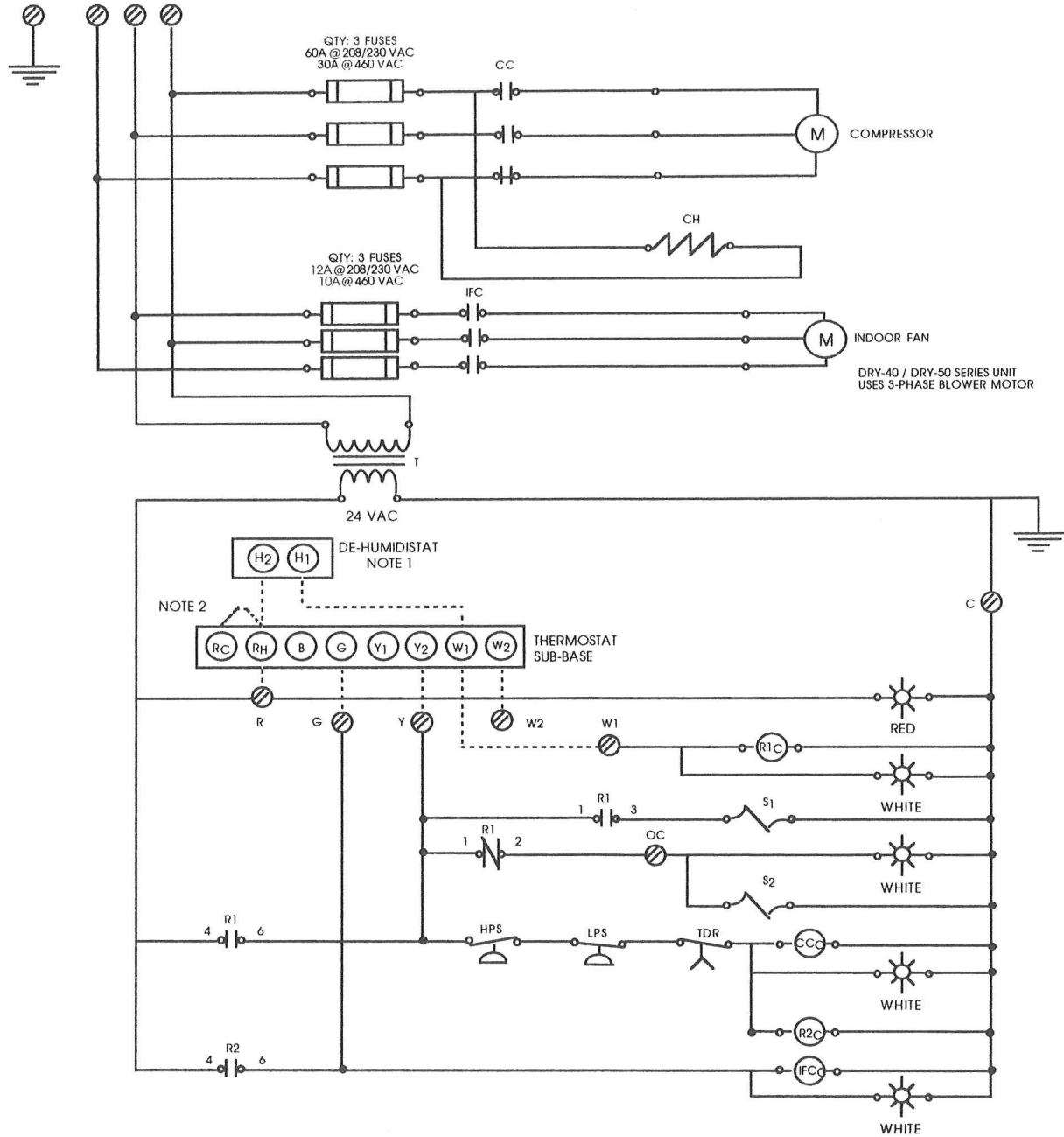
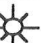



208 / 230 / 460 VOLT - 3 PHASE



DRY-40 / DRY-50 SERIES UNIT
USES 3-PHASE BLOWER MOTOR

LEGEND

- CC COMPRESSOR CONTACTOR
- CH CRANKCASE HEATER
- HPS HIGH PRESSURE SWITCH
- IFC INDOOR FAN CONTACTOR
- LPS LOW PRESSURE SWITCH
- M MOTOR
- OC OUTDOOR CONDENSER
- R1 RELAY #1
- R2 RELAY #2
- S1 SOLENOID #1
- S2 SOLENOID #2
- T TRANSFORMER
- TDR TIME DELAY RELAY
- XXC COIL FOR INDICATED DEVICE
- LOW VOLTAGE FACTORY WIRING
- LOW VOLTAGE FIELD WIRING
- ===== HIGH VOLTAGE FACTORY WIRING
-  INDICATOR LAMPS
-  TERMINAL CONNECTION

NOTE 1: IF OUTDOOR CONDENSER IS USED
CONNECT DE-HUMIDISTAT TO TERMINAL
RH & Y₂ RATHER THAN RH & W₁.

NOTE 2: INSTALL JUMPER WIRE BETWEEN RH & RC
ON THERMOSTAT SUB-BASE.

Added CH & Indicator Lamps		02/05/93	MSU
REVISIONS		Date	By
DRYAIR SYSTEMS			
Drn: DWS	Ckd: MSU	Ap'vd: JDS	
Date: 01/12/90	Scale: Full	No. 090-1101-19	
208/230/460 VOLT - 3 PHASE - DRY-50			